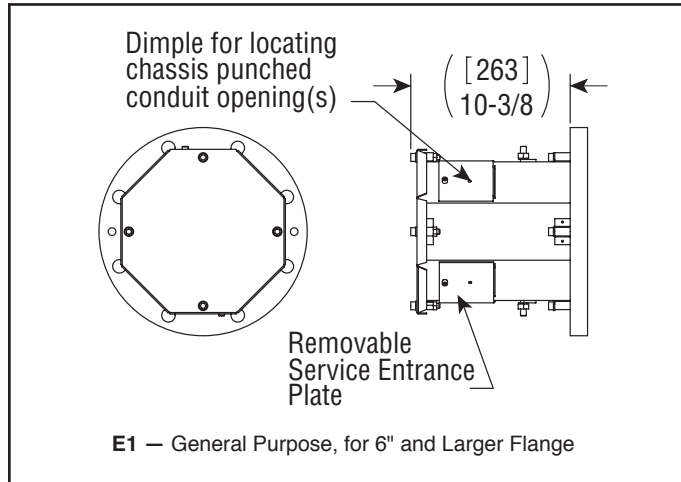
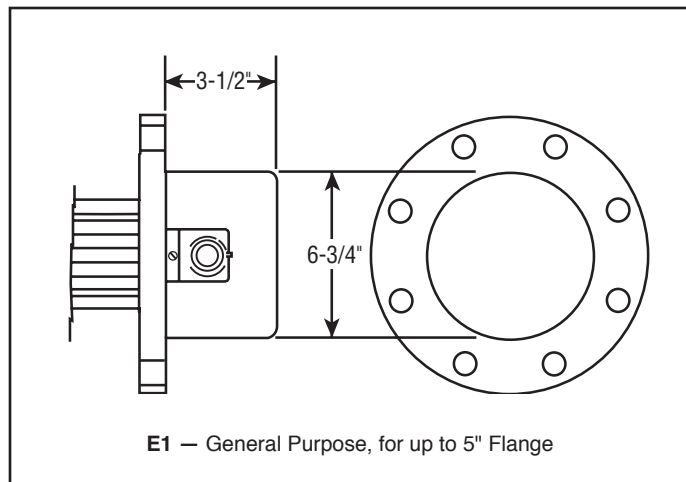


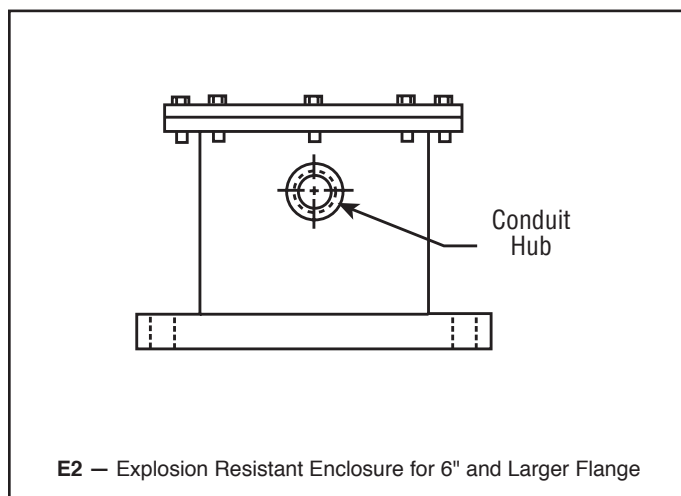
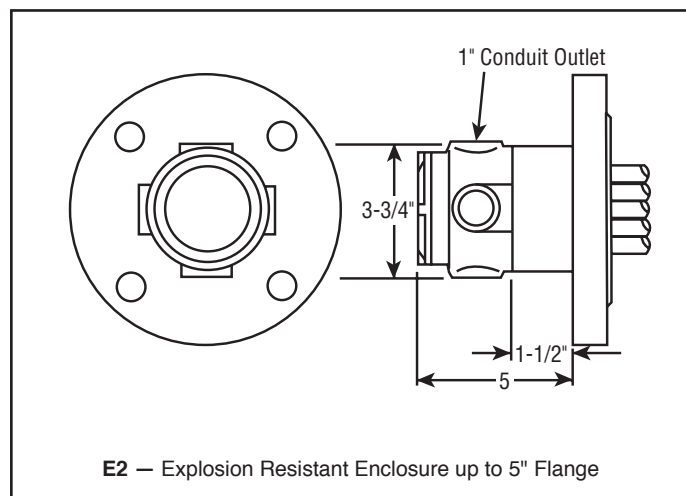
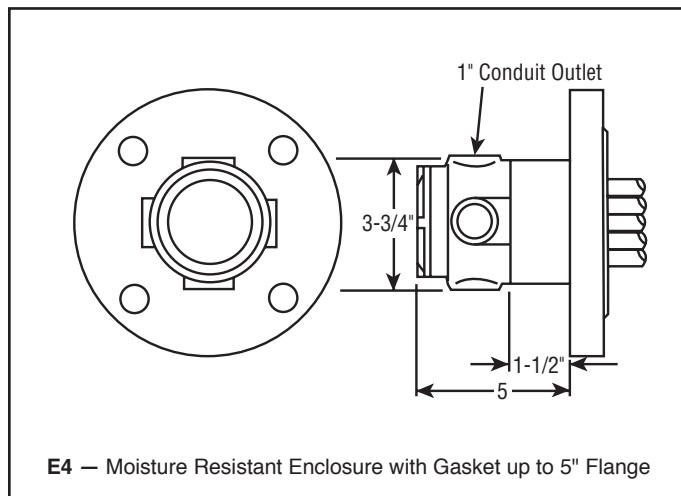
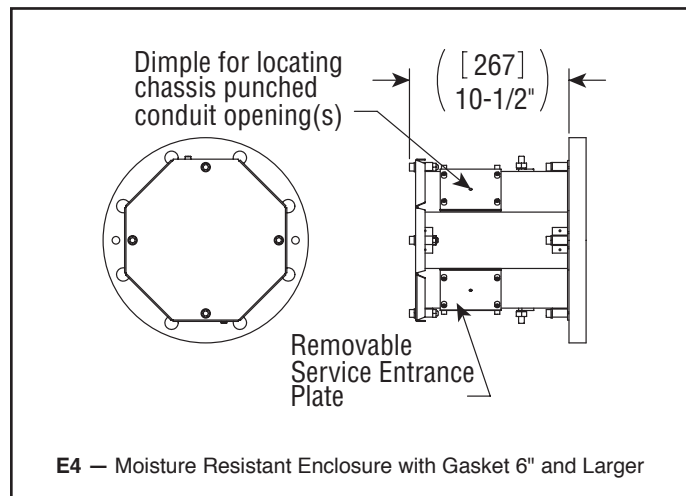
Flanged Immersion Heaters

Terminal Enclosures

Enclosure Styles and Dimensions (Inches)



FLANGED



Flanged Immersion Heaters

Terminal Enclosures

Third Party Specifications by Housing Style

Model	Purpose		North American Designation(s)	Canadian Designation(s)	European Designation(s)	International Designation(s)
E1	General Purpose	Generic Agency (s)	NEMA 1, NEC UL/CSAus	NEMA 1 IP32 CSA	IP32 CE: Manufacturer's Declaration	CE: Manufacturer's Declaration
		Ratings	General Duty Only	General Duty Only	General Duty Only	General Duty Only
E4*	Moisture Resistant Note: Temps over T3 (200°C) require standoffs for third party listing. Refer to IECex & ATEX certifs. for standoff dimensions	Generic Agency (s)	NEMA 4 UL / CSAus	NEMA 4 CSA	IP66 CE: Manufacturer's Declaration	IP66 CE: Manufacturer's Declaration
		Ratings	Class I Div. 2, Groups B, C, D Groups E, F: 200°C (T3) Group G 165°C (T3B) Class I Zone 2 AEx nA II T1 to T6	Class I Div. 2, Groups B, C, D Class II Division 2, Groups E, F: 200°C (T3) Group G 165°C (T3B) Class I Zone 2 Ex nA II T1 to T6	II 3 G Ex nA II T1 to T6	Ex nA II T1 to T6
E2	Moisture Resistant/Explosion Proof Ex de IIB+H2 T1 to T6, 540°C, 600°C Note: Temps over T4 (135°C) require standoffs for third party listing. Refer to IECex & ATEX certifs. for standoff dimensions	Generic Agency (s)	CSAus	CSA	ATEX	IECex
		Ratings	Class I, Div. 1 Groups B, C & D Class II, Div. 1 Groups E, F & G Class I Zone 1 AEx d IIB + H2 T1 to T6	Class I, Div. 1 Groups B, C & D Class II, Div. 1 Groups E, F & G Class I Zone 1 Ex d IIB + H2 T1 to T6	I 2 G EEx d IIB+H2 T1 to T6	Ex d IIB+H2 T1 to T6
E5 Flange Size 3"-8" 8"-12" 12"-18"	Moisture Resistant/Explosion Proof Ex de IIC T1 to T6 540°C, 600°C ATEX IIC Labeling Reference CFP, CFP2, CFP4, CFP8, CFP12, CFP20 Refer to European Catalog.	Generic Agency (s)			ITS ATEX	IECex
		Ratings			II 2 G EEx de IIC T1 to T6, 540°C, 600°C	Ex de IIC T1 to T6 540°C, 600°C

* **WARNING:** Addition of sparking devices such as a Thermostat to an E4 housing will annul hazardous area rating.